

LUXO FGD & NARDO HGD

FOR PERFECTLY PRESERVED FOOD.



LUXO



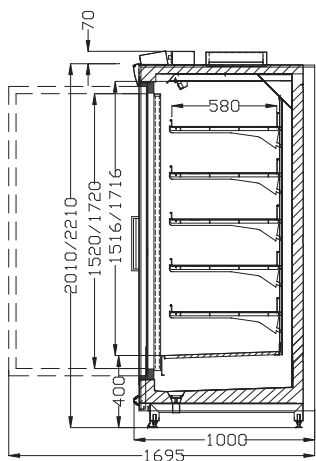
NARDO



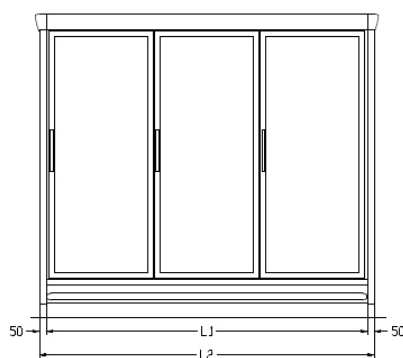
THE SIGN OF COOL QUALITY

Caring for the future

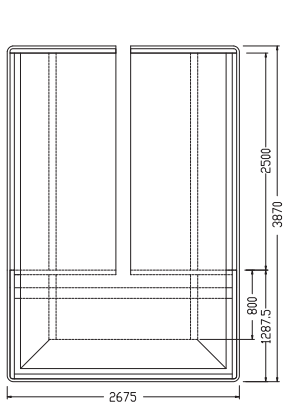
LUXO FGD & NARDO HGD



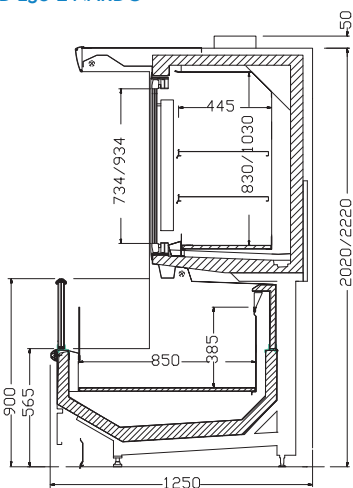
FGD1-F-201/221-80 LUXO



LUXO FRONT



HGD-250-E NARDO



HGD-201/221 NARDO

STANDARD ACCESSORIES

- fan evaporator and expansion valves standard for R404A and CO2 refrigerant
- defrosting resistor and defrosting limiter
- thermostat
- terminal box for electrical connections
- vertical lights in cabinet section
- light fixture in island section (Nardo)
- grid shelves (Luxo)

VISION COLLECTION

How you read the code:

FGD1-F-200-80

Product Doors 1) Height Length

Measures are centimeters.

* F=Freezer

TECHNICAL DATA

	Min. power input W		Max. power input W		Length	Depth	Height	Volume (L)	LUXO
FGD1-F-201-80	1253	1253	795	970	2010	724			
FGD2-F-201-156	2328	2328	1565	970	2010	1426			
FGD3-F-201-234	3583	3583	2345	970	2010	2137			
FGD4-F-201-312	4838	4838	3125	970	2010	2848			
FGD5-F-201-390	5973	5973	3890	970	2010	3545			
FGD1-F-221-80	1253	1253	795	970	2210	825			
FGD2-F-221-156	2328	2328	1565	970	2210	1625			
FGD3-F-221-234	3583	3583	2345	970	2210	2435			
FGD4-F-221-312	4838	4838	3125	970	2210	3244			
FGD5-F-221-390	5973	5973	3890	970	2210	4039			

F = Freezer unit, 1...5 door modules

NARDO CABINETS

HGD-F-201-188	2020	2092	1875	1250	2010	668	
HGD-F-201-250	2698	2788	2500	1250	2010	890	
HGD-F-201-375	3920	4046	3750	1250	2010	1335	
HGD-F-221-188	2110	2230	1875	1250	2210	829	
HGD-F-221-250	2798	2948	2500	1250	2210	1105	
HGD-F-221-375	4092	4302	3750	1250	2210	1658	
HGD-F-201-250-E	2215	2269	1468	1250	2010	523	
HGD-F-221-250-E	2125	2215	1468	1250	2210	649	

NARDO

FF = cabinet and island are freezers -23...-21 °C
 FC= cabinet is a freezer -23...-21 °C, island is a chiller unit +2...+4 °C
 FI = island is a freezer
 CI = island is a chiller unit
 E = end cabinet

NARDO SALES UNITS:

NARDO BASINS

HGD-CI-188	717	717	1875	1250	0	614	
HGD-CI-250	952	952	2500	1250	0	818	
HGD-CI-375	1444	1444	3750	1250	0	1227	
HGD-FI-188	2017	2017	1875	1250	0	614	
HGD-FI-250	2652	2652	2500	1250	0	818	
HGD-FI-375	3994	3994	3750	1250	0	1227	
HGD-CI-250-E	952	952	2500	1250	0	818	
HGD-FI-250-E	2652	2652	2500	1250	0	818	

HGD-FF-201-188 Nardo
 HGD-FF-201-250 Nardo
 HGD-FF-201-375 Nardo
 HGD-FF-221-188 Nardo
 HGD-FF-221-250 Nardo
 HGD-FF-221-375 Nardo
 HGD-FC-201-188 Nardo
 HGD-FC-201-250 Nardo
 HGD-FC-201-375 Nardo
 HGD-FC-221-188 Nardo
 HGD-FC-221-250 Nardo
 HGD-FC-221-375 Nardo

OPTIONAL ACCESSORIES

- thermometer
- energy efficient glass lids, curved or push
- LED lighting
- fans
- expansion valves for other refrigerants
- gas defrosting instead of electric
- glass end panels
- load dividers for shelf and island sections
- front rail for shelves and bottom level
- automatic control device
- multiplexing kit
- heat exchanger
- ask for different lighting options!