

PROMOTER

FOR EFFICIENT PROMOTIONS

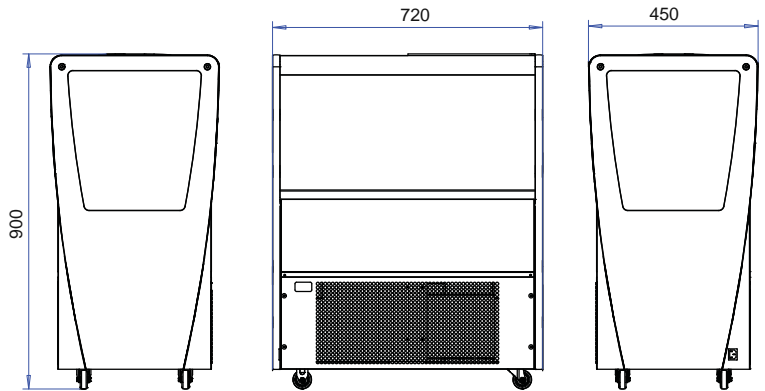


Caring for the future

PROMOTER

New impulse cooler for efficient promotions!

- R290 as coolant
- Solid construction
- Superior product visibility
- More volume than main competitors
- Limitless branding possibilities
- LED lights and lids as an option
- Maintenance free condenser
- Easy cleaning



STANDARD FEATURES

- Castors
- Electronic controller
- Automatic defrost
- Service-free condenser
- Evaporator with fan
- Hot gas defrost water evaporation
- Environmental friendly refrigerant R290

OPTIONAL ACCESSORIES

- LED lights
- Lids

NORPE  ECOLOGY
CARING FOR THE FUTURE

NORPE  PROPANE R290 ECOLOGY

TEMPERATURE	LENGTH /DEPTH/HEIGHT	CAPACITY LITRES	CAPACITY 330ml CANS (PCS)
+0...+8°C	720mm/450mm/900mm	85	120
Power input (W)	251		
Energy consumption (kWh/24h)	5.2		