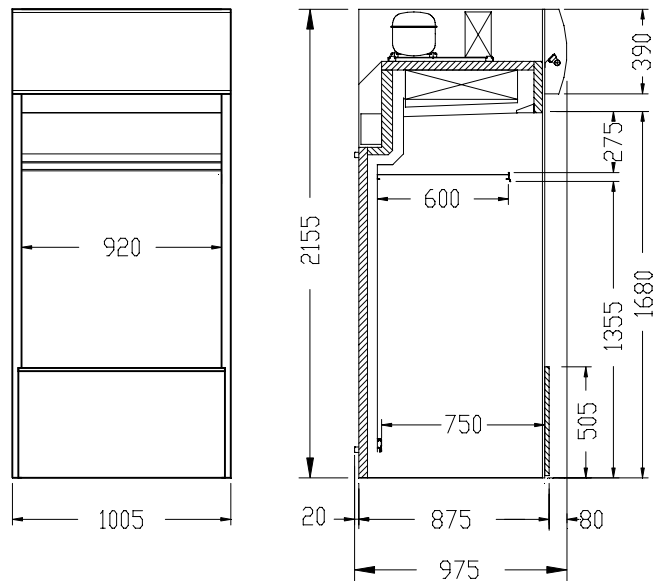
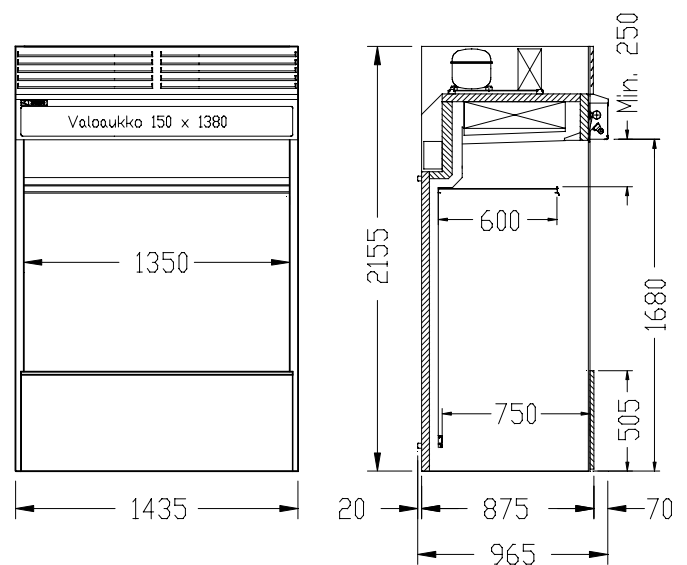


Rollo technical data

Model	Air temperature °C	Length (mm)	Height (mm)	Depth (mm)	Power input (W)	Display capacity l	Cases pcs
Rollo-100-M	+7...+9	1000	2155	975	1800	1015	24+4
Rollo-143-M	+7...+9	1430	2155	975	1860	1490	36+6



Rollo-100-M



Rollo-143-M